



### Parts list / Stückliste

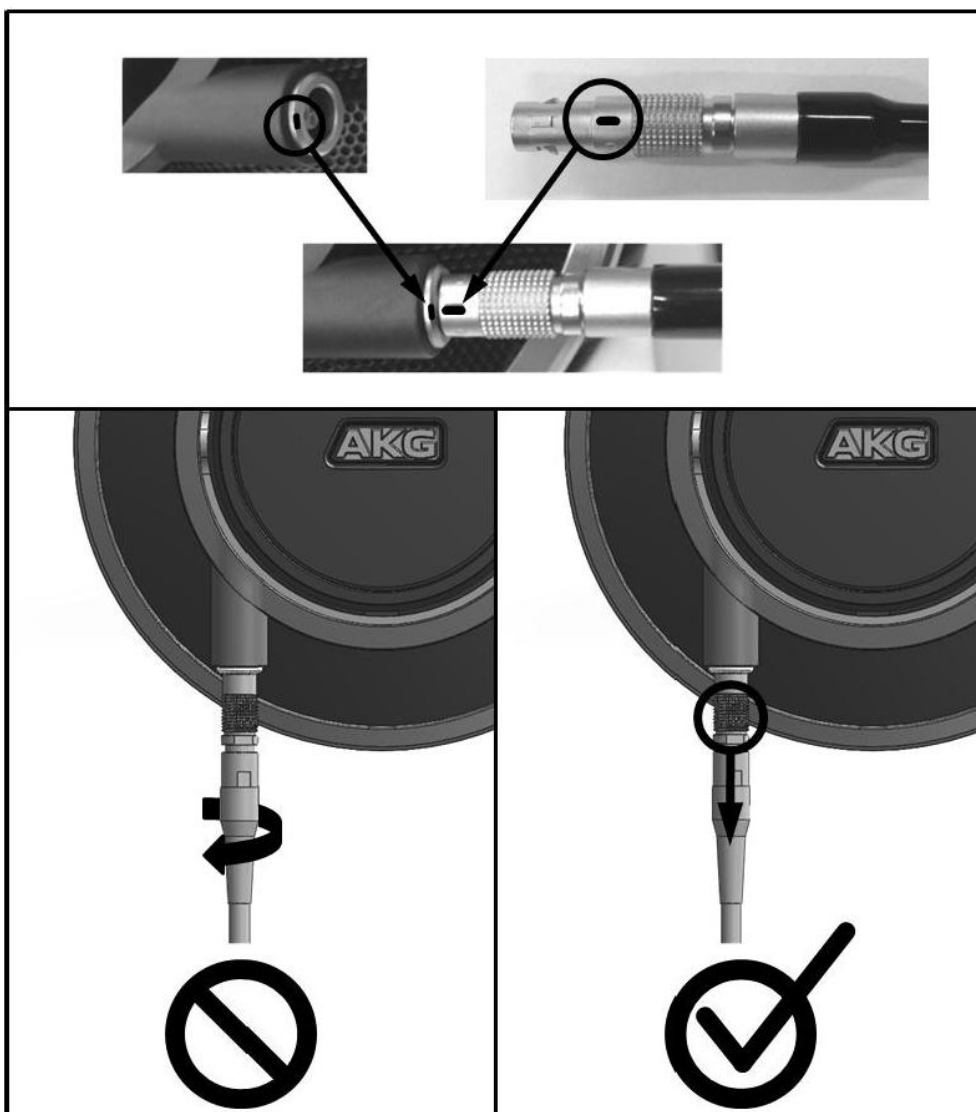
<i>Description</i>	<i>Pos.</i>	<i>Part number Bestellnummer</i>	<i>Quant. Stück</i>	<i>Bezeichnung</i>
Headband	1	5035097	1	Bügelband
Release button	3	5034652	2	Auslöseknopf
Spring	4	5041593	2	Feder
Ratchet	5	5034152	2	Rastung
Arrestor	6	5034149	2	Arretierung
Cushion*	8	5035077	2	Polster
Screw Ejot PT18x4	9	5036128	10	Schraube Ejot PT18x4
Transducer assy.	10	5042867	2	Wandler
Pressure ring	11	5036297	2	Druckring
Cup assy.	12	5042863	2	Kappe
Screw Torx M3x6 (T6)**	13	5039562	8	Schraube Torx M3x6 (T6)**
Kardan ring	14	5042866	2	Kardanring
Distance ring	15	5036295	8	Distanzring
Holder cover	16	5033267	2	Halter Abdeckung
Bow assy. compl.	17	5047638	1	Bügelgruppe kompl.
Screw Torx M2x4 (T5)	19	5039560	4	Schraube Torx M2x4 (T5)
Screw Torx M2x5 (T5)	20	5039561	6	Schraube Torx M2x5 (T5)
Cable 3m	21	5036299	1	Kabel 3m
Cable 1,4m <small>(optional available)</small>	21	5046080	1	Kabel 1,4m <small>(optional erhältlich)</small>
Adapter 3,5 - 6,3mm	22	0018E03350	1	Adapter 3,5 - 6,3mm

### Remarks:

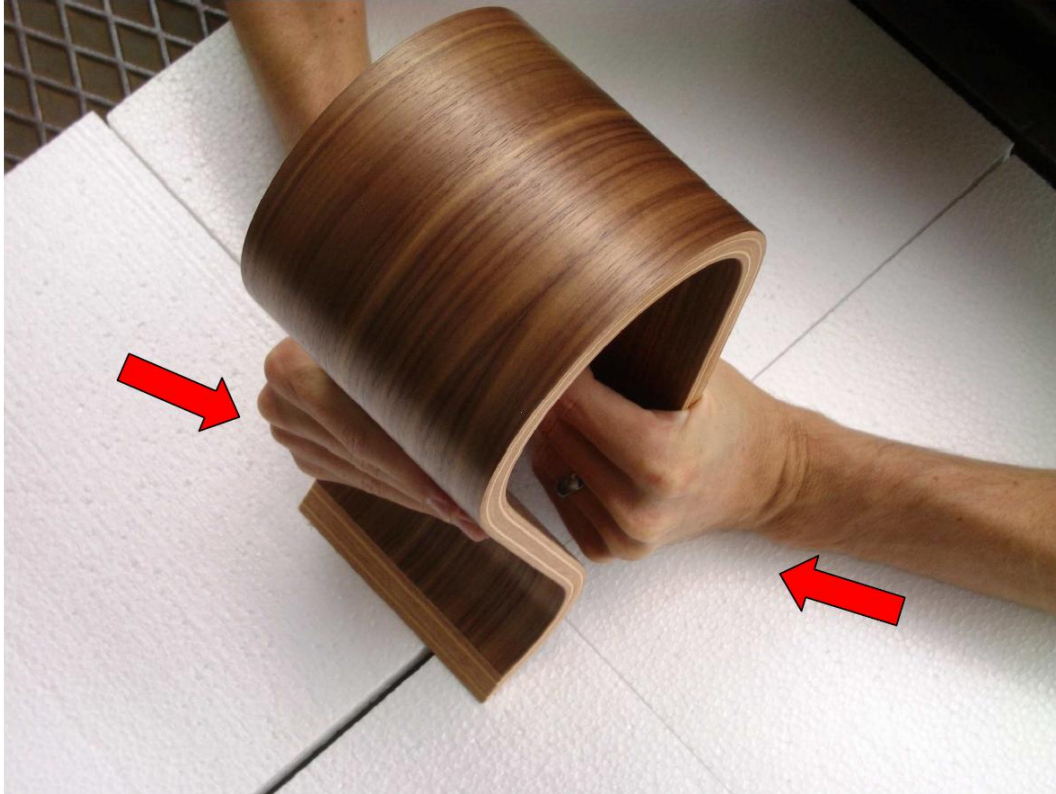
- \* The cushions (8) have a bayonet lock. Turn them **clockwise** to turn them off.
- \*\* The screws (13) must be secured with Loctite 243 threadlocker.

## Hints:

1. How to handle the Lemo connector correct.



2. If your headphone stand should have become rocky this is how you can straighten it again.



You can straighten the headphone stand by taking its corners in both your hands and strongly pushing the corners that are slightly up towards each other and hold then this position for about 10 seconds. Let the unit rest for some time and then repeat the procedure for as many times as necessary.